

Making Projectors Easy!

The OmniMount 3N1-PJT is a universal ceiling projector mount that combines functionality and durability in a complete, flexible, and very stylish package, making it the perfect mount for a wide array of projectors. It's universal design ensures compatibility with nearly every projector.

Three simple installation steps allow for a quick and easy installation. Simple yet solid tilt and pitch adjustments guarantee the perfect position for aligning your client's projector to their screen.

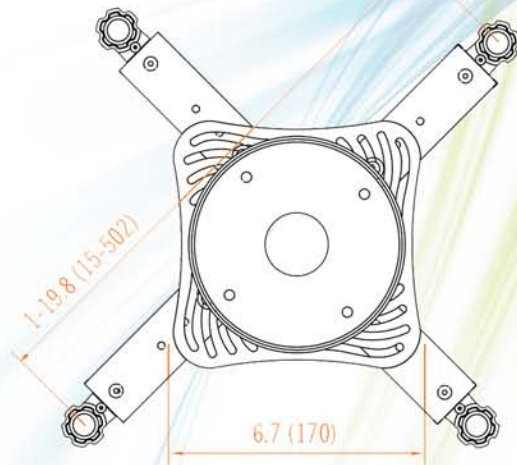
The 3N1-PJT is compatible with three and four hole mounting patterns since it's legs are adjustable up to 19.8" diagonally. It's 40 pound mounting capacity handles projectors from large to small.

For commercial installations, it has an anti-theft security feature. OmniMount has NPT extension pipes available in 12", 18" and 24" lengths to complete your install.

Try this flexible solution on your next install - you will see why everyone is singing it's praise!

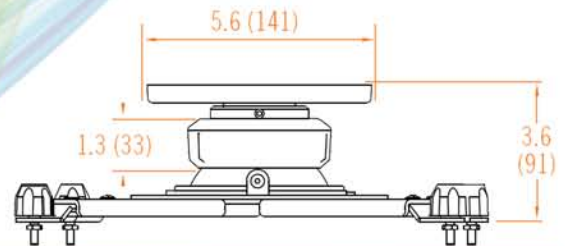
Product Features:

- Universal mounting pattern for projectors with any hole pattern
- Legs adjustable up to 19.8" diagonally for small to large projectors
- Built-in pitch/tilt adjustment
- Includes ceiling plate and PFC-A coupler
- Anti-theft security feature
- Easy to install and use
- NPT extension pipes available in 12", 18" and 24" lengths



In This Issue

- *Making projectors easy*
- *Messing with the KID - Papa Dock*
- *New look, less depth, more profit*
- *Thin like you have never seen/heard*
- *Video goes Extreme*



The 3N1-PJT has infinitely adjustable tilt and pitch, which is especially helpful for post installation adjustment.

